

PLEASE CHECK WWW.MOLEX.COM FOR LATEST PART INFORMATION

Part Number: **0190020045**
Status: **Active**
Description: Avikrimp™ Quick Disconnect, Female, for 10-12 (5.00-3.30) Wire, Mylar Tape, Tab 6.35mm (.250") x 0.81mm (.032")

Documents:

[Drawing \(PDF\)](#) [RoHS Certificate of Compliance \(PDF\)](#)

Agency Certification

CSA	LR18689
TUV	R72090224
UL	E79133

General

Product Family	Quick Disconnects
Series	<u>19002</u>
Crimp Quality Equipment	Yes
Product Name	Avikrimp™
Type	Quick Disconnect

Physical

Barrel Type	Closed
Flammability	94V-2
Gender	Female
Glow-Wire Compliant	No
Insulation	Nylon (PA)
Lock to Mating Part	None
Material - Metal	Brass
Orientation	Straight
Packaging Type	Adhesive Tape on Reel
Polarized to Mating Part	No
Tab Thickness	0.81mm (.032")
Tab Width	6.35mm (.250")
Temperature Range - Operating	-65°C to +105°C
Wire Insulation Diameter	6.22mm (.245") max.
Wire Size AWG	10, 12
Wire Size mm²	3.30 - 5.00

Electrical

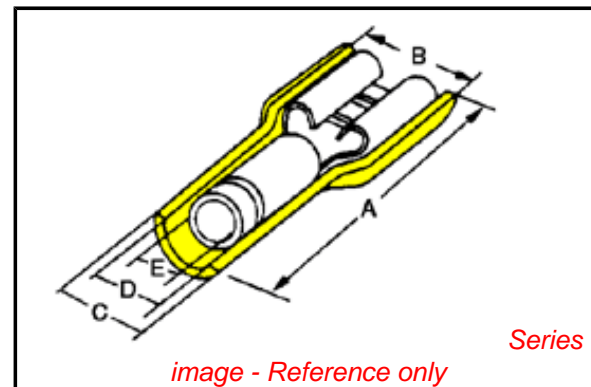
Voltage - Maximum	300V
-------------------	------

Material Info

Old Part Number	C-5265T
-----------------	---------

Reference - Drawing Numbers

Sales Drawing	SD-19002-005
---------------	--------------



EU RoHS

ELV and RoHS Compliant
REACH SVHC Contains SVHC: No
Halogen-Free Status
Not Reviewed

China RoHS



Need more information on product environmental compliance?

Email productcompliance@molex.com
 For a multiple part number RoHS Certificate of Compliance, [click here](#)

Please visit the [Contact Us](#) section for any non-product compliance questions.

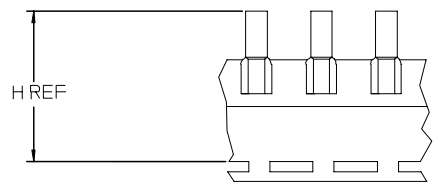
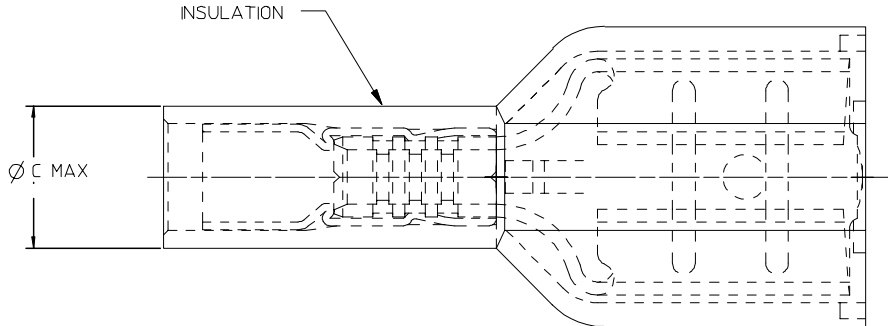
Search Parts in this Series

19002Series

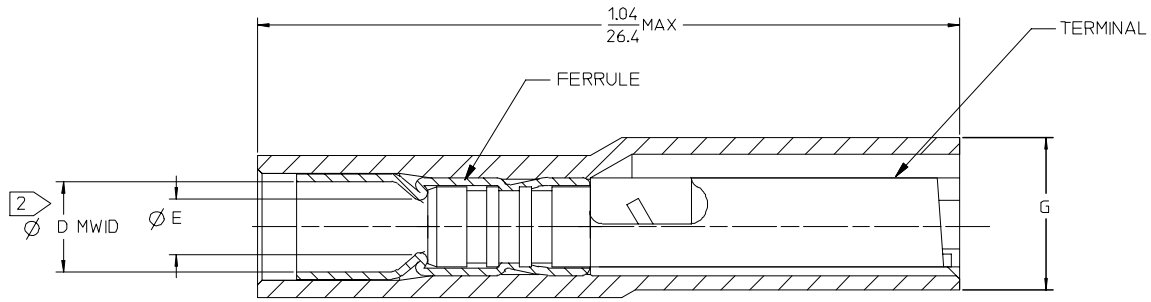
Use With

19001-0010 , 19001-0011

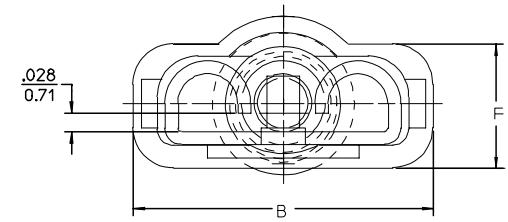
13	12	11	10	9	8	7	6	5	4	3	2	1
MATERIAL NUMBER LOOSE PCS	ENGINEERING NUMBER LOOSE PCS	MATERIAL NUMBER ON STRIP	ENGINEERING NUMBER ON STRIP	MATERIAL NUMBER ON TAPE	ENGINEERING NUMBER ON TAPE	"C" MAX	"D" MWD	"E" MIN	"F" REF	"H" REF		
190020044	C-5265	190020046	C-5265Z	190020045	C-5265T	.31/7.9	.245/6.22	.144/3.66	.19/4.8	1.561/39.65		
196060005	19606-0005	196060004	19606-0004	196060006	19606-0006	.30/7.6	.230/5.84	.120/3.05	.15/3.8	1.513/38.43		



PARTS ON TAPE



TERMINAL IS NOT SECTIONED FOR CLARITY



SALES DRAWING

NOTES:

- MATERIAL: TERMINAL BRASS .018/0.46 THK REF.
TERMINAL PLATING: ELECTRO TIN
FERRULE: BRASS
FERRULE PLATING: ELECTRO TIN
INSULATION: NYLON 94V2 COLOR YELLOW.
- MWD = MAXIMUM WIRE INSULATION DIAMETER
- PART IS RoHS COMPLIANT

ADD NOTE 3 EC NO: ETC2007-0243 DRAWN: JLOMASTRO 2006/12/14 CHKD: JMAGNELL 2006/12/15 APPR: JMAGNELL 2006/12/15 REVISIONS DESCRIPTION DATE	QUALITY SYMBOLS	GENERAL TOLERANCES (UNLESS SPECIFIED)	DIMENSION STYLE	SCALE	DESIGN UNITS	THIRD ANGLE PROJECTION															
	$\nabla=0$ $\nabla=0$	<table border="1"> <tr> <th></th> <th>mm</th> <th>INCH</th> </tr> <tr> <td>4 PLACES</td> <td>± .005</td> <td>± .0005</td> </tr> <tr> <td>3 PLACES</td> <td>± .005</td> <td>± .0005</td> </tr> <tr> <td>2 PLACES</td> <td>± 0.13</td> <td>± .01</td> </tr> <tr> <td>1 PLACE</td> <td>± 0.25</td> <td>± .01</td> </tr> </table>		mm	INCH	4 PLACES	± .005	± .0005	3 PLACES	± .005	± .0005	2 PLACES	± 0.13	± .01	1 PLACE	± 0.25	± .01	IN/MM	4:1	INCH	
		mm	INCH																		
	4 PLACES	± .005	± .0005																		
3 PLACES	± .005	± .0005																			
2 PLACES	± 0.13	± .01																			
1 PLACE	± 0.25	± .01																			
	<table border="1"> <tr> <th>mm</th> <th>INCH</th> </tr> <tr> <td>4 PLACES</td> <td>± .005</td> </tr> <tr> <td>3 PLACES</td> <td>± .0005</td> </tr> <tr> <td>2 PLACES</td> <td>± 0.13</td> </tr> <tr> <td>1 PLACE</td> <td>± 0.25</td> </tr> </table>	mm	INCH	4 PLACES	± .005	3 PLACES	± .0005	2 PLACES	± 0.13	1 PLACE	± 0.25	DRAWN BY: BENDERLE DATE: 2005/04/15 CHECKED BY: R DEROSS DATE: 2005/04/15 APPROVED BY: R DEROSS DATE: 2005/04/15	TITLE	AVIKRIMP FEMALE FIQD 12-10 AWG							
mm	INCH																				
4 PLACES	± .005																				
3 PLACES	± .0005																				
2 PLACES	± 0.13																				
1 PLACE	± 0.25																				
	DRAFT WHERE APPLICABLE MUST REMAIN WITHIN DIMENSIONS	SEE CHART MATERIAL NO.	MOLEX INCORPORATED DOCUMENT NO.	SHEET NO.	1 OF 1																